

Model: A 1 6 Y

Data

Type: Semi-hermetic piston compressors

Producer: Frascold

Series: A

Model: A 1 6 Y

Technical data

Nominal motor power [kW/HP]:	0,75 / 1
Cylinder count:	2
Displacement [m ³ /h]:	5,47
RPM [min ⁻¹]:	1450
Weight net [kg]:	36
Weight gross [kg]:	37
Oil charge [dm ³]:	1,2

Electrical data

Power supply [V/~/Hz]:	230V/3/50 Δ	400V/3/50 Y
Locked rotor current [A]:	23,6	13,6
Max. operating current [A]:	6,2	3,6

Connections

	<u>milimeters</u>	<u>inches</u>
Suction line:	15,8	5/8
Discharge line:	12,7	1/2

Model: A 1 6 Y

Capacity

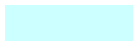
R22

Cooling capacity [W]

$t_c \setminus t_e$	12.5	7.5	5	0	-5	-10	-15	-20	-25	-30	-35	-40
30	7 090	5 910	5 380	4 450	3 650	2 960	2 350	1 840	1 420	1 070	780	550
40	6 280	5 230	4 760	3 930	3 210	2 590	2 050	1 590	1 210	890	640	440
45	5 890	4 900	4 460	3 670	2 990	2 410	1 900	1 470	1 110	810	570	380
50	5 480	4 560	4 150	3 410	2 780	2 230	1 750	1 340	1 090	730	500	330

Power input [W]

$t_c \setminus t_e$	5	-10	-20	-30	-40
40	1 130	990	840	660	470

 With head cooling

Operating conditions: suction gas temperature 20°C, 0K subcooling

t_c - Condensing temperature [°C]

t_e - Evaporating temperature [°C]

Model: A 1 6 Y

Capacity

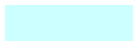
R134a

Cooling capacity [W]

$t_c \setminus t_e$	12.5	7.5	5	0	-5	-10	-15	-20
50	3 730	3 090	2 800	2 280	1 830	1 440	1 110	830
60	3 210	2 650	2 390	1 930	1 540	1 190	900	650
70	2 670	2 190	1 980	1 580	1 240	940	690	470
80	2 120	1 730	1 560	1 230	950	700	480	300

Power input [W]

$t_c \setminus t_e$	12.5	5	0	-10
60	1 110	940	840	660

 With head cooling

Operating conditions: suction gas temperature 20°C, 0K subcooling

t_c - Condensing temperature [°C]

t_e - Evaporating temperature [°C]

Model: A 1 6 Y

Capacity

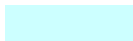
R404A/R507

Cooling capacity [W]

$t_c \setminus t_e$	7.5	5	0	-5	-10	-15	-20	-25	-30	-35	-40	-45
30	6 540	6 000	5 020	4 180	3 450	2 820	2 270	1 790	1 390	1 040	740	500
40	5 570	5 110	4 290	3 560	2 930	2 380	1 900	1 480	1 120	810	550	330
45	5 080	4 670	3 910	3 250	2 670	2 160	1 710	1 330	990	700	460	250
50	4 590	4 220	3 540	2 940	2 410	1 940	1 530	1 170	860	590	360	-

Power input [W]

$t_c \setminus t_e$	5	-10	-20	-30	-40
40	1 570	1 240	990	750	530

 With head cooling

Operating conditions: suction gas temperature 20°C, 0K subcooling

t_c - Condensing temperature [°C]

t_e - Evaporating temperature [°C]

Model: A 1 6 Y

Capacity

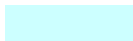
R407C

Cooling capacity [W]

$t_c \setminus t_e$	12.5	7.5	5	0	-5	-10	-15	-20	-25
30	7 210	5 990	5 450	4 490	3 670	2 960	2 360	1 850	1 420
40	6 320	5 250	4 780	3 930	3 200	2 570	2 030	1 570	1 170
45	5 870	4 880	4 440	3 650	2 960	2 360	1 850	1 420	1 050
50	5 420	4 500	4 090	3 350	2 710	2 160	1 680	1 270	920

Power input [W]

$t_c \setminus t_e$	7.5	0	-10	-20
40	1 330	1 260	1 060	860

 With head cooling

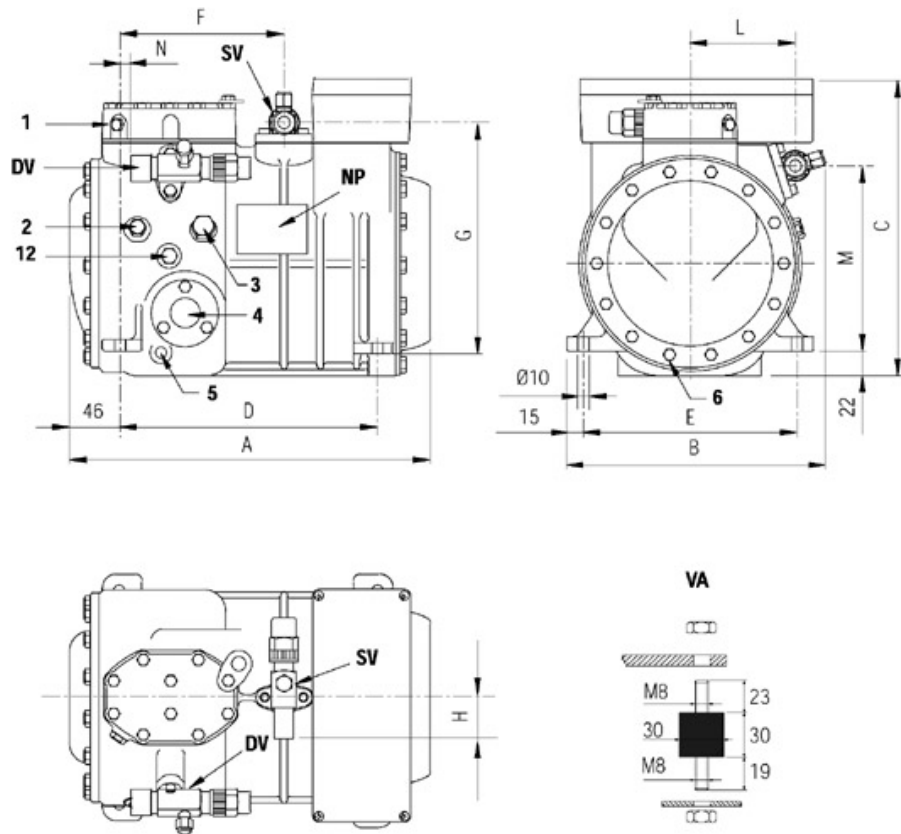
Operating conditions: suction gas temperature 20°C, 0K subcooling

t_c - Condensing temperature [°C]

t_e - Evaporating temperature [°C]

Model: A 1 6 Y

Dimensions



A	313 mm
B	237 mm
C	275 mm
D	234 mm
E	194 mm
F	150 mm
G	209 mm
H	29 mm
L	95 mm
M	168 mm
N	18 mm

1: high pressure plug
3: oil charge plug
5: crankcase heater seat
12: oil return plug
NP: name plate

2: low pressure plug
4: oil level sight glass
6: oil drain plug
DV: discharge valve
SV: suction valve

Model: A 1 6 Y

Image

